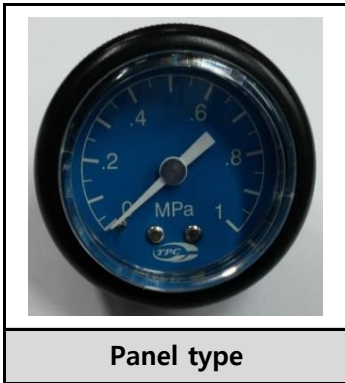


# Option

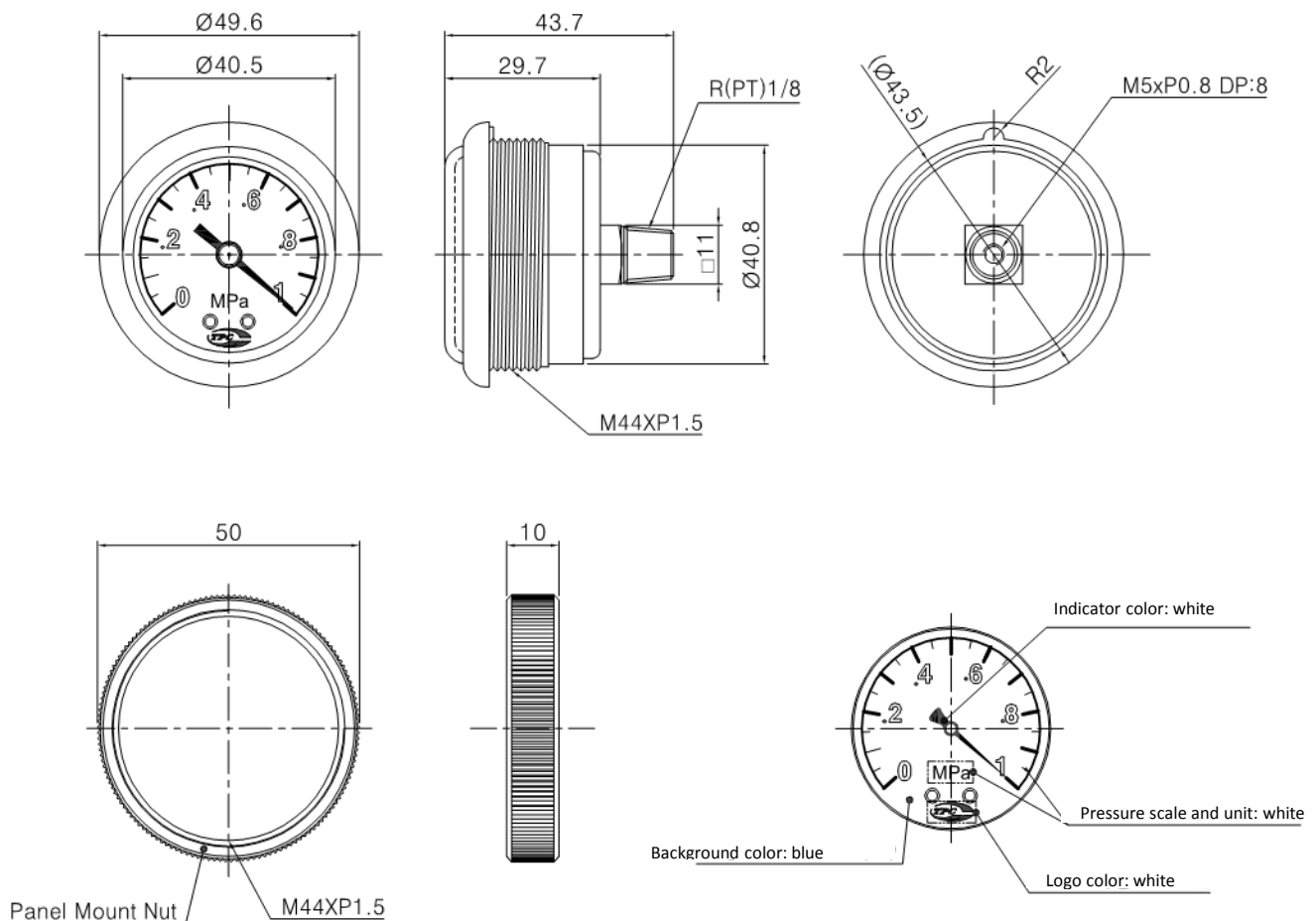
## ■ Panel pressure gauge



## ■ Specifications

Fluid	Air
Max. operating pressure (MPa)	1.0
Display pressure range(MPa)	0 ~ 1.0
Ambient and fluid temp (°C)	-5 ~ 60 (Non-freezing)
Precautions	No harmful vibrations or shock to pressure gauge.

## ■ Dimensions for panel pressure gauge



## ■ Parts information

Gauge type	Part number	Pressure range (Unit)	Port size
Panel Pressure Gauge	PG40-10-01M	0~1.0 (MPa)	PT 1/8
	PG40-10-01D	0~1.0 (MPa/psi)	NPT 1/8